



## Feature

1. Metal housing.
2. Excellent operational feel from less lever wobble.
3. Maximum attenuation of over 110dB (compatible to total resistance value of over 10kΩ)
4. Metal slide rod type.    5. Long Life Type Available.

## F10008 Slide potentiometer

### Electrical characteristics

- Total Resistance.....1KΩ~1MΩ
- Total Resistance Tolerance.....500Ω <R<1MΩ: ±20%  
R≤500Ω or R≥1MΩ: ±30%
- Resistance Taper.....A,B,C
- Withstand Voltage.....1 minute at AC 300V
- Insulated Resistance.....More than 100MΩ at DC 250V
- Sliding Noise.....Less than 100mV
- Residual Resistance.....Term.1~2: Less than 10Ω  
Term.2~3: Less than 30Ω
- Gang Error (Dual Unit).....- 40dB~0dB±3dB
- Max Operating Voltage.....DC 20V
- Rated Power.....Linear Taper B:0.25W;  
Other Tapers:0.125W

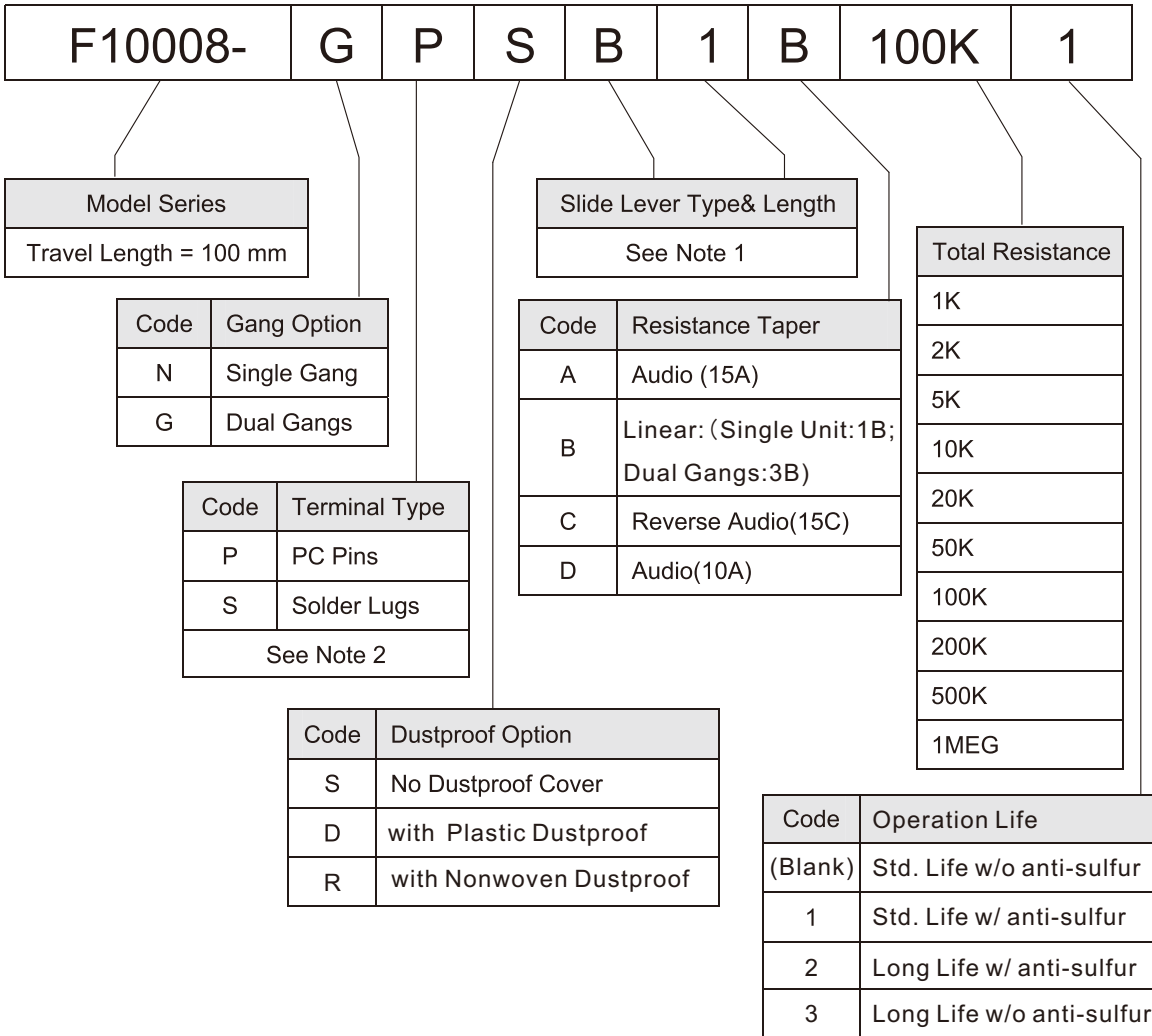
### Mechanical characteristics

- Slide Travel.....100mm
- Slide Torque.....Less than 30 gf
- Stopper Strength.....10Kgf.cm (from the base level to a point of 2mm)
- Level Wobble.....2(2xL)/25mm Max. (L: Level length both sides)
- Level Push-Pull Strength.....5.0Kgf Min at 10Sec.

### Durability

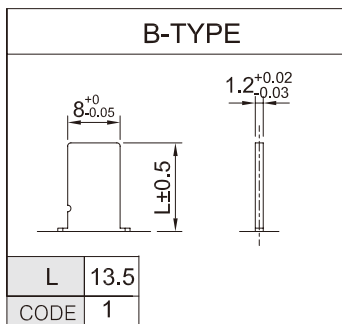
- Slide Life..... Standard life:50,000Cycles Min.  
Long life: 100,000 Cycles Min.
- Operating Temperature Range.....-10°C ~ +70°C

### HOW TO ORDER

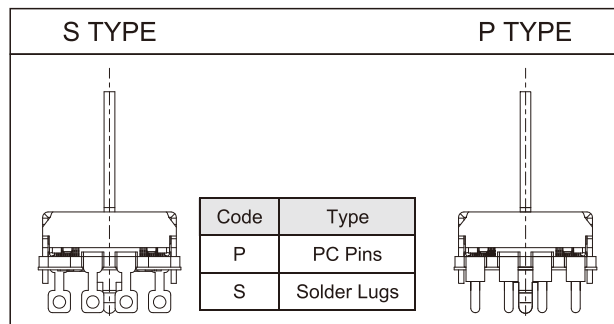


Slide Potentiometer

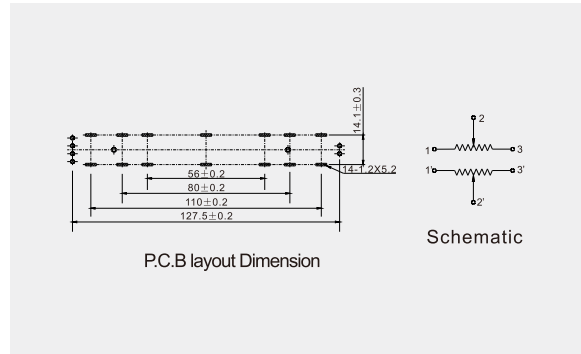
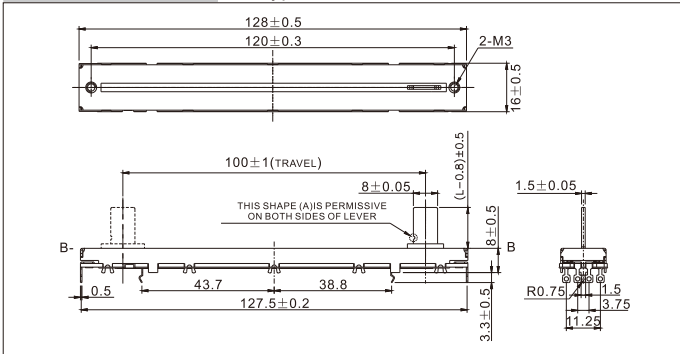
**Note 1: Slide Lever Type and Length:**



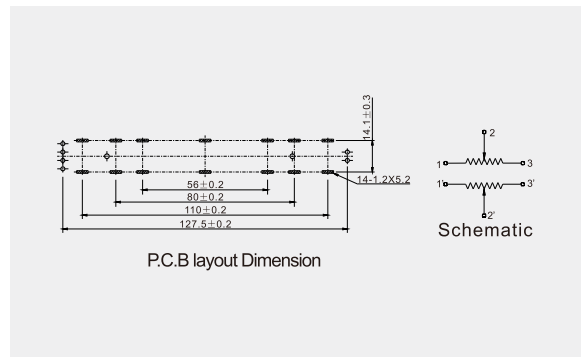
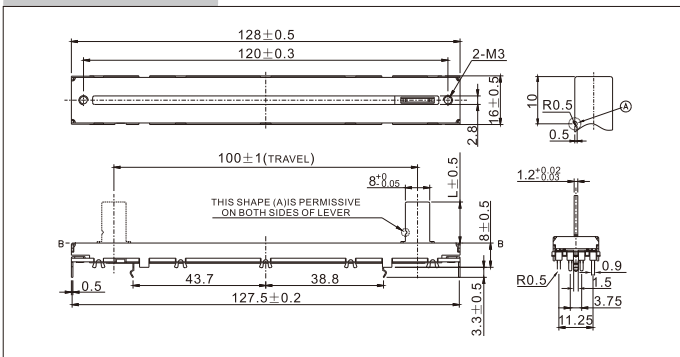
**Note 2: Terminal Type**



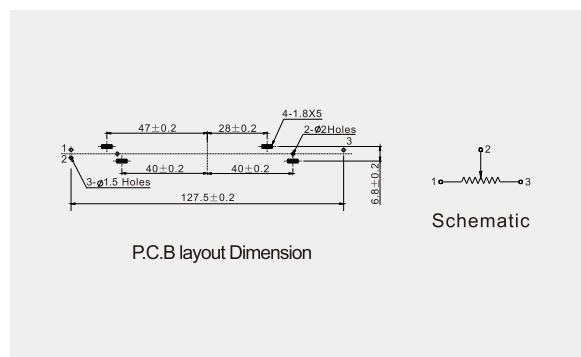
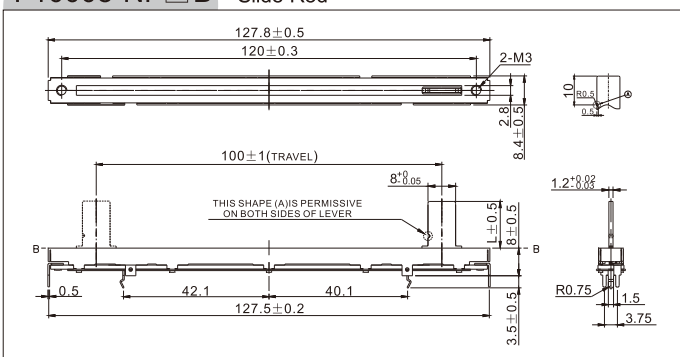
**F10008-GS** 100mm Travel, Dual Gangs, Soldering Terminal, B-Type Slide Rod



**F10008-GP** 100mm Travel, Dual Gangs, PC Pins, B-Type Slide Rod



**F10008-NP** 100mm Travel, Dual Gangs, PC Pins, B-Type Slide Rod



**F10008-NS** 100mm Travel, Dual Gangs, Soldering Terminal, B-Type Slide Rod

