

Feature

1. Carbon element.
2. Inserting molding around the resistor with resin.
3. Long life, Miniature structure .
4. Long Life Type Available.

F10KV Series Joystick Potentiometer

Electrical characteristics

- Total Resistance.....1K Ω ~1M Ω
- Total Resistance Tolerance..... 500 Ω <R<1M Ω : $\pm 20\%$
R \leq 500 Ω or R \geq 1M Ω : $\pm 30\%$
- Resistance Taper..... B
- Rated Power.....0.0125W
- Withstand Voltage..... 1 minute at AC 250V
- Insulation Resistance..... More than 100M Ω at DC 250V 1 Minute
- Max. Operating Voltage.....AC50V,DC 5V
- Residual Resistance..... Term.1~2:Less than 5% of Total Resistance
Term.2~3:Less than 5% of Total Resistance
- Rotational Noise.....Less than 300mV

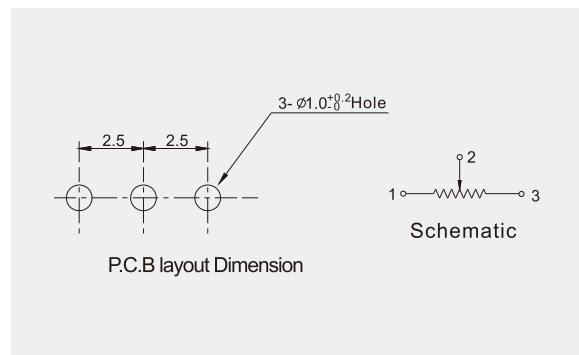
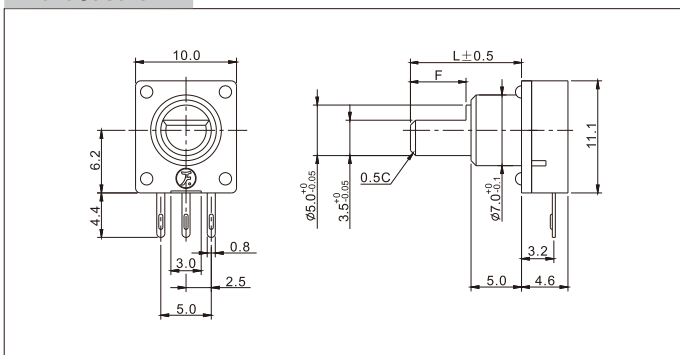
Mechanical characteristics

- Total Rotational Angle.....300° \pm 10°
- Rotational Torque..... 3 ~50 gf.cm
- Rotational Stopper Strength.....2Kgf.cm Min.
- Push-Pull Strength..... Push:5Kgf Min
Pull:5Kgf Min

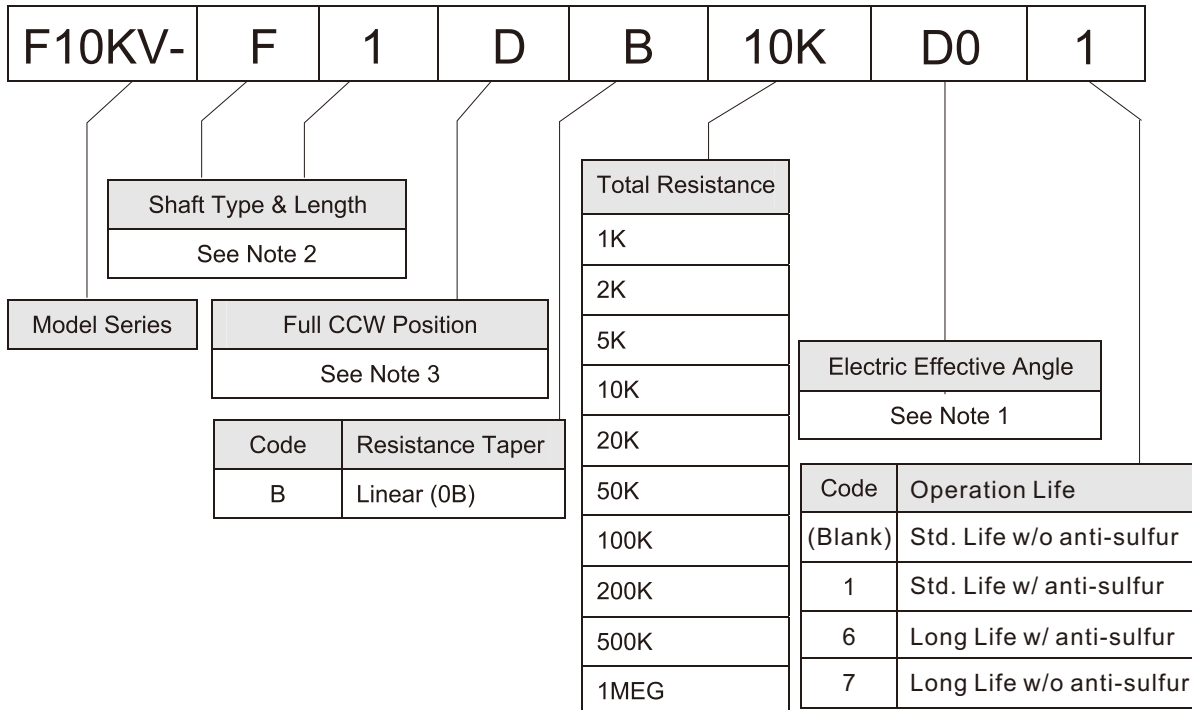
Durability

- Rotational Life..... Standard life: 100,000 Cycles Min.
Long life: 1Million Cycles Min.
- Operating Temperature Range.....-10°C ~ +70°C

F10KV-F Side Adjust, 1 Gang, F-type Shaft



HOW TO ORDER



Joystick

Note 1: Electric Effective Angle

F10KV			
ANGLE	Code	ANGLE	Code
18°	e8	90°	G0
27°	d7	110°	I0
37°	A7	180°	P0
40°	B0	220°	T0
50°	C0	235°	U5
87°	F7		

F10KV			
ANGLE	Code	ANGLE	Code
33.5°	0°	01	
212.5°	0°	02	
53°	6°	03	
45°	6°	04	
60°	3°	05	
50°	16°	12	
30°	6°	14	
26°	6°	15	

A(Carbon)

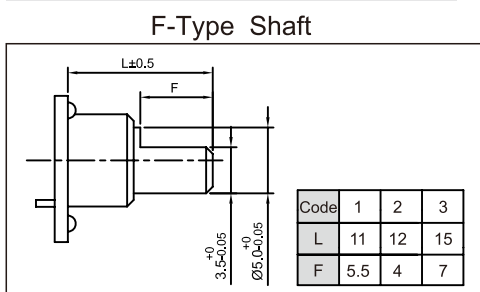
B(Silver)

碳膜层
(Carbon)

硫化层
(Anti-Sulfurated)

银层
(Silver)

Note 2: Shaft Type and Length



Note 3: Full C.CW Position

