

Feature

1. High resolution of 12 pulses and 24 pulses in 16mm size.
2. Compact and highly accurate contact type encoder.
3. Incremental type. 4. Long Life Type Available.

F16E Series Rotary Encoder

Electrical characteristics

- Rated Power.....DC 5V, 5mA(0.5mA Min)
- Fluttering..... $t1, t2 \leq 3ms$
- Insulation Resistance..... More than $10M\Omega$ at DC50V 1mA
- Withstand Voltage..... 1 minute at AC 50V 1mA
- Sliding Noise(Bounce)..... $t2 \leq 2ms$
- Phase Difference..... $\Delta T \geq 0.08T$

Mechanical characteristics

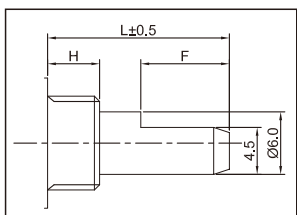
- Rotational Torque of Detent.....30gf.cm~130gf.cm
- Total Rotational Angle.....360° Continuous
- Number and Position of Detent.....12Detents (Angle: $30^\circ \pm 3^\circ$)
24Detents (Angle: $15^\circ \pm 3^\circ$)
- Push-Pull Strength8.0Kgf Min for 10Sec.
- Bushing & Nut Tight Strength.....10.0Kgf Min

Durability

- Rotational Life.....30,000 Cycles Min
- Operating Temperature Range.....-10°C ~ +70°C

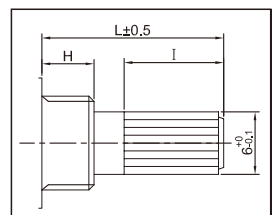
Note 1: Shaft Type & Shaft Length:

F-Type



Bushing Length H =5 or 7				Bushing Length H =12			
Code	1	2	3	4	Code	1	2
L	15	20	25	30	L	25	30
F	7	12	12	12	F	12	12

Y-Type



Bushing Length H =5 or 7			
Code	1	2	3
L	15	20	25
I	7	12	12

HOW TO ORDER

F16E-	5	V	1	F	1
-------	---	---	---	---	---

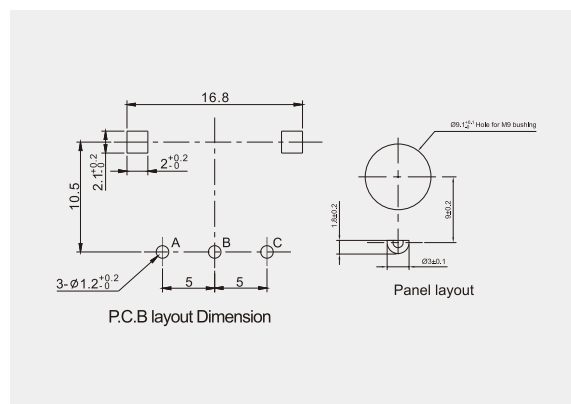
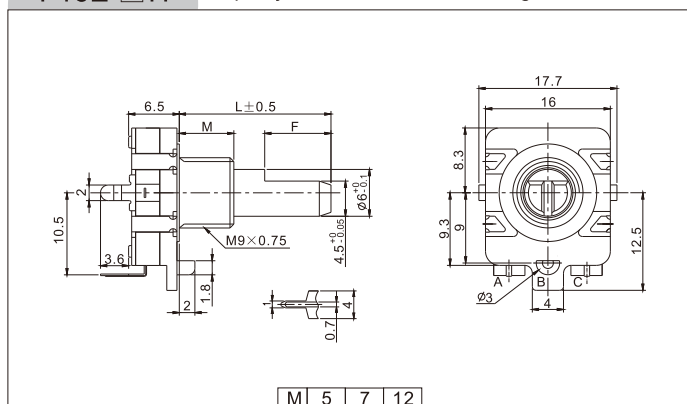
Model Series	
Code	Bushing Length
5	5 mm
7	7 mm
2	12mm

Shaft Type & Length	
See Note 1	

Code	Pulse and Detent
1	12 Pulse without Detent
2	12 Pulse with 12 Detents
3	24 Pulse without Detent
4	24 Pulse with 24 Detents

Code	Terminal Configuration
V	Side Adjust, PC Pins
H	Top Adjust, PC Pins

F16E-□H Top Adjust, M9 Threaded Bushing



F16E-□V Side Adjust, M9 Threaded Bushing

