

# FJR06k Series Mini Joystick Potentiometer



Rotary Potentiometer

Joystick

Slide Potentiometer

Trimmer Potentiometer

Encoder

Switch

Sensor



## Feature

1. Miniature Dimensions of 11mm\*6mm
2. Switch function available
3. Perfect for portable gaming devices

## Application:

- Portable Game console
- Mini Gamepad

## Recommended model:

- ◆ FJR06k-S1B10KD0

## Electrical Characteristics

Total Resistance	10KΩ
Resistance Tolerance	±20%
Resistance Taper	B taper
Rated Power	TaperB:0.0125W
Withstand Voltage	1 minute at AC 250V
Insulation Resistance	More than 100Mat DC 250V for 1 minute
Max. Operating Voltage	Taper B: AC 50V or DC 5.0V
Noise	Less than 300mV
Voltage Divider Error	38%-62%

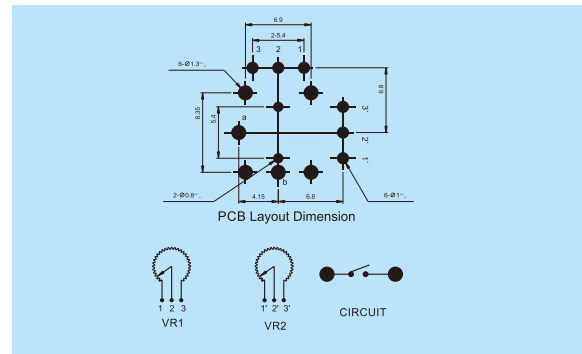
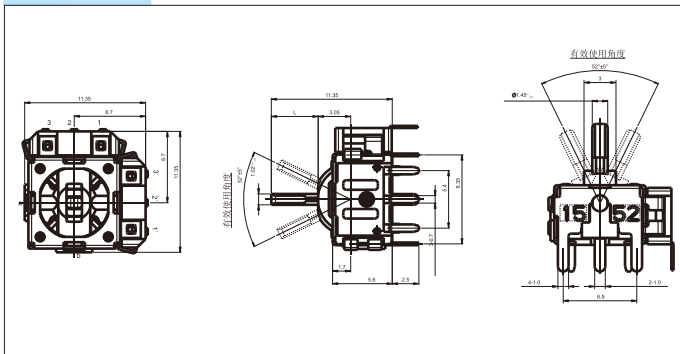
## Durability

Operating Life	1,000,000 cycles
Operating Temperature Range	-30°C ~ +80°C

## HOW TO ORDER

<b>FJR06K-</b>	<b>S</b>	<b>1</b>	<b>B</b>	<b>10K</b>	<b>D0</b>
<b>Model Series</b>	<b>Switch Option</b> N: No Switch S: With Tact Switch	<b>Shaft Length</b> 1: 4.4mm	<b>Resistance Taper</b> B: Linear (0B)	<b>Total Resistance</b> 10k	<b>Electrical Angle Code</b> D0: 60°

### FJR06k-S



### FJR06k-N

