



Feature

- 1.High reliability
- 2.Simple construction (only 4 component parts)
- 3.ROHS compliant and lead free wave soldering.
- 4.Long life, over 300,000Cycles.

FSE10 Series Position Sensor

Electrical characteristics

- Resistance Range.....1K~100K
- Total Resistance Tolerance.....+/-20%
- Taper Style.....B taper
- Power Rated.....0.2W @50°C
- Independent Linearity.+/-2%
- Max. VoltageDC30V
- Contact Noise.....Within 10%TR

Mechanical characteristics

- Mechanical Travel.....8mm
- Electrical Travel.....6.4mm
- Slide Torque.....200 gf Max.
- Push Pull Strength of Lever.....push: 5Kg Min; pull: 2Kg Min .
- Stopper Strength.....3Kg Min, 5Sec.

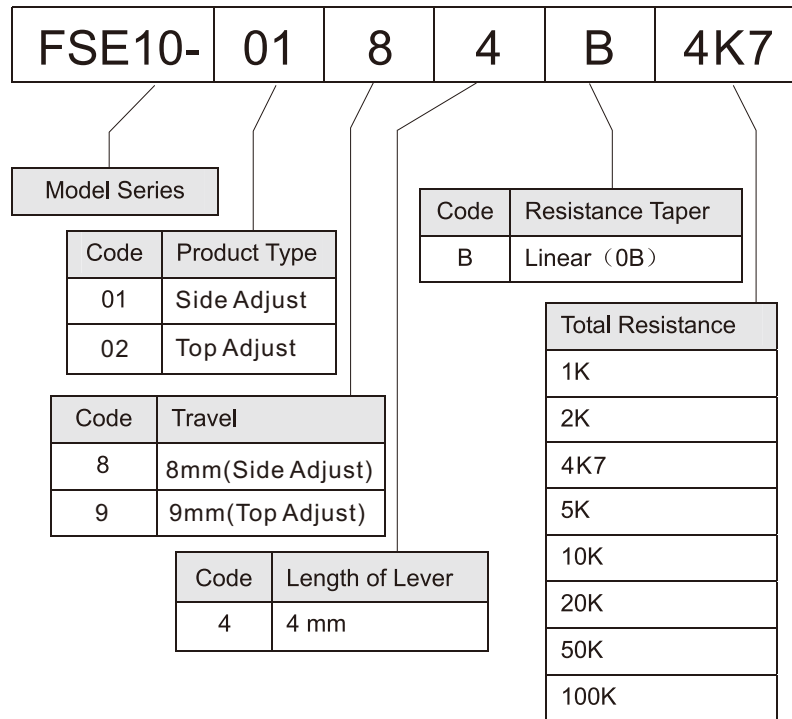
Typical Applications

- Automotive Seat Position Memory.
- Automotive Headlamp Leveling Position Sensors.
- Automotive Rear-view Mirror Position Sensors.

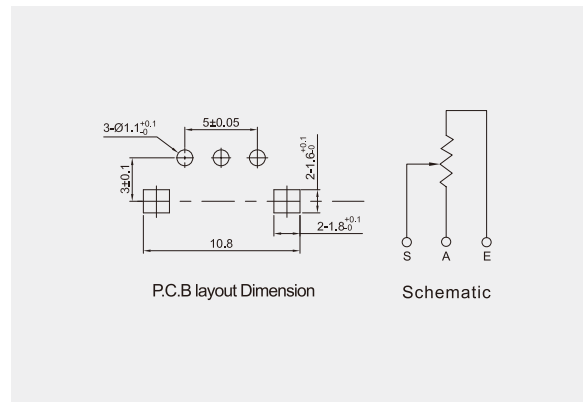
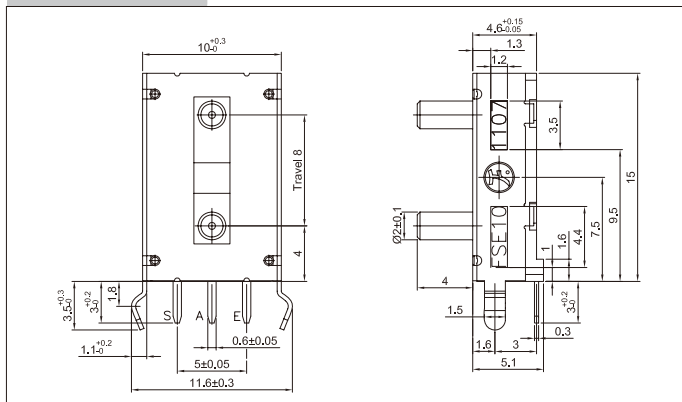
Environmental characteristics

- Storage Temperature.....-40°C to +105°C
- Operating Temperature.....-40°C to +105°C
- Life Cycles.....200,000 Cycles Min
- Heat Resistance.....+105±2°C, 96H
△TR:± 20%,Linearity:± 3%
- Cold Resistance.....-40 ±3°C, 96H
△TR:± 20%,Linearity:± 3%
- Humidity Resistance.....+60±2°C, 90~95RH, 100H
△TR:± 20%,Linearity:± 3%
- Temperature Cycles.....-40°C~+105°C, 5cycles
△TR:± 20%,Linearity:± 3%

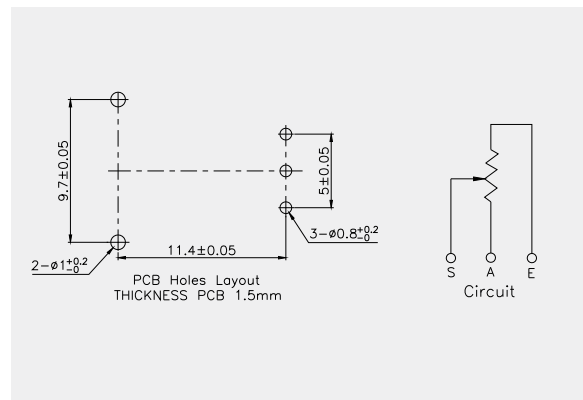
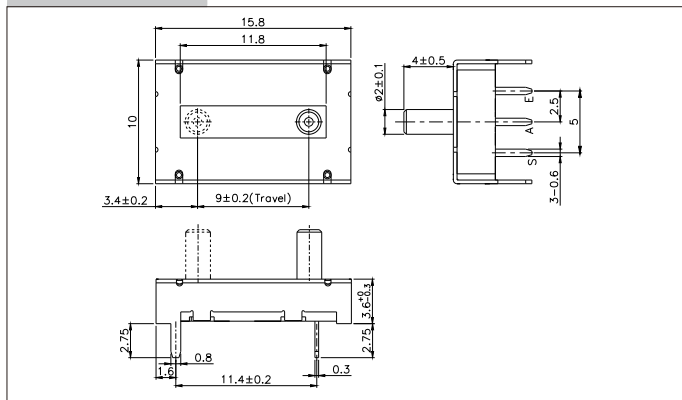
HOW TO ORDER



FSE10-0184 8mm Travel, 4mm Lever Length



FSE10-0294 9mm Travel, 4mm Lever Length



Sensor