



Feature

1. Carbon resistive element.
2. Dust proof enclosure.
3. Housing available in self extinguishable plastic(UL94V-0).

FTB0602 Series Dust proof Trimmers

Electrical characteristics

- Total Resistance Range.....1K Ω ~1M Ω
- Resistance Tolerance.....1K Ω <TR<1M Ω \pm 20% 100 Ω \leq TR \leq 1K Ω \pm 30%
1M Ω \leq TR \leq 5M Ω \pm 30%
- Resistance Taper.....A,B,C taper
- Voltage rating.....B Taper:DC 100V;A,C Taper:DC 50V
- Power Rating.....B Taper:@50 $^{\circ}$ C,0.1W;A,C Taper:@50 $^{\circ}$ C,0.05W
- Contact Noise.....10% Max(TR<1M Ω); 25% Max (TR \geq 1M Ω)
- Residual Resistance ValueR<100K Ω Terminal 1~2 and 2~3: 10 Ω Max
R \geq 100K Ω Terminal 1~2 and 2~3: Less than 0.5% of total resistance

Mechanical characteristics

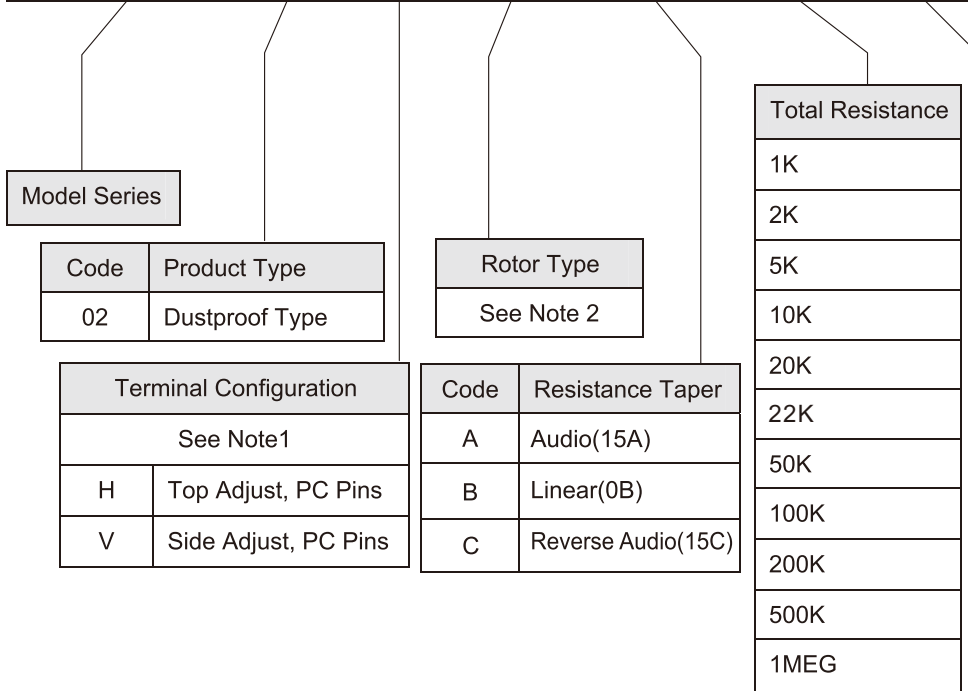
- Total Rotational Angle.....235 $^{\circ}$ \pm 10 $^{\circ}$
- Electrical Effective Angle.....200 $^{\circ}$ \pm 20 $^{\circ}$
- Stopper Strength.....400gf.cm Min
- Rotational Torque.....20gf.cm~200gf.cm

Environmental characteristics

- Temperature Range.....-25 $^{\circ}$ C~+70 $^{\circ}$ C
- Temperature Coefficient..... \pm 500ppm/ $^{\circ}$ C(TR<100K)
 \pm 1000ppm/ $^{\circ}$ C(TR \geq 100K)at-25 $^{\circ}$ C~+70 $^{\circ}$ C
- Humidity.....95%RH at 40 $^{\circ}$ C,500H, Δ TR70 $^{\circ}$ C \pm 10%
- Dry Heat.....70 \pm 3 $^{\circ}$ C,240H, Δ TR+5/-15%
- Temperature Cycles.....-25 $^{\circ}$ C~+70 $^{\circ}$ C, 5 cycles, Δ TR \pm 5%
- Load Life.....@50 $^{\circ}$ C,rated power 1000 hours , Δ TR \pm 10%
- Resistance to Soldering Heat.....260 \pm 5 $^{\circ}$ C;10Sec, Δ TR \pm 5%
- Rotational Life.....10,000 cycles, Δ TR \pm 10%

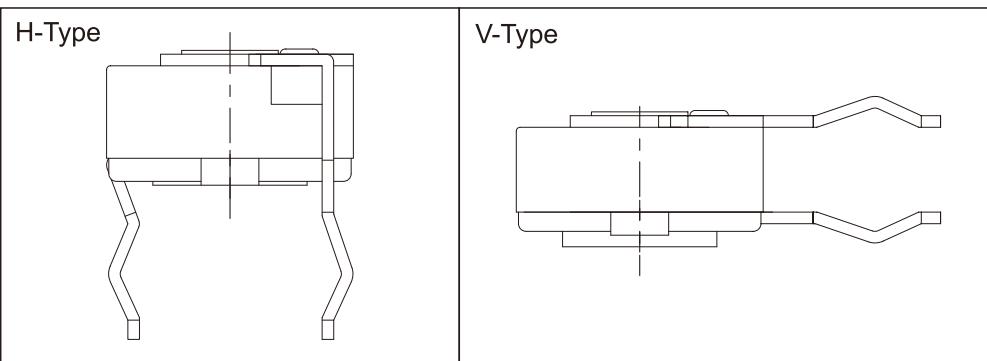
HOW TO ORDER

FTB06-	02	H	L	B	100K	1
--------	----	---	---	---	------	---

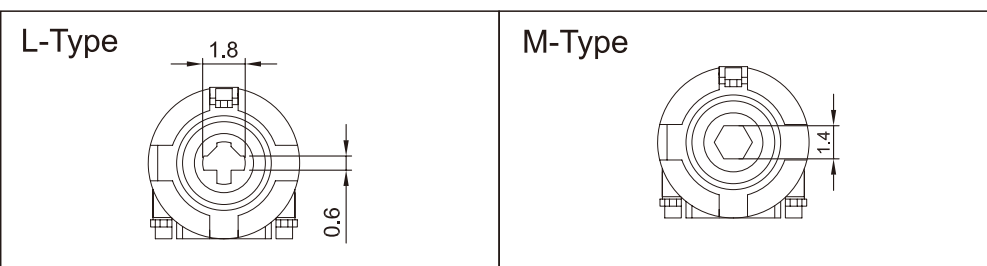


Code	Operation Life
(Blank)	Std. Life w/o anti-sulfur
1	Std. Life w/ anti-sulfur

Note 1: Terminal Configuration

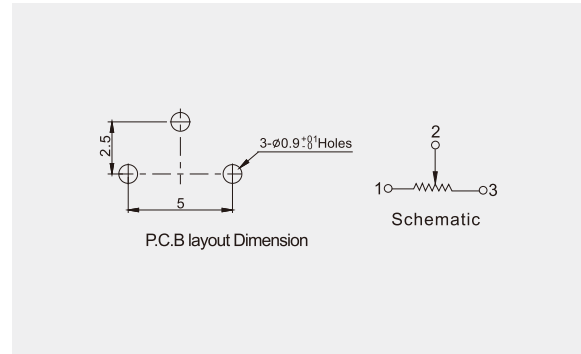
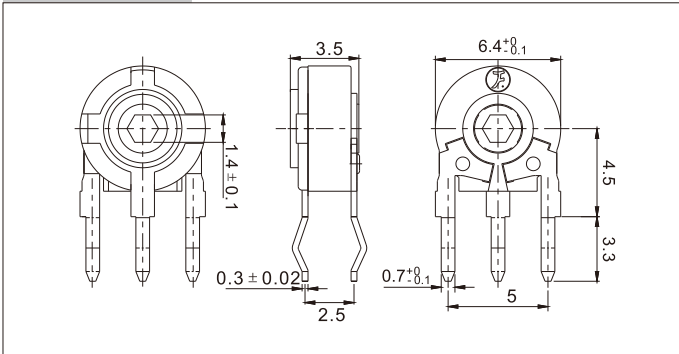


Note 2: Rotor Type



Trimmer potentiometer

FTB06-02VM Side Adjust, Pitch 5x2.5mm, L-Type Rotor



FTB06-02HL Top Adjust, Pitch 5x5mm, L-Type Rotor

