

Feature

1. Flux build-up prevention is taken through inserting molding Around the resistor with resin.
2. Improved operational feel, snap and mounting strength.
3. Available with center tap and center detent.

Fxx91 Series Slim Potentiometer

Electrical characteristics

- Total Resistance..... 1K Ω ~1M Ω
- Total Resistance Tolerance..... 500 Ω <R<1M Ω : $\pm 20\%$
R \leq 500 Ω or R \geq 1M Ω : $\pm 30\%$
- Resistance Taper..... A,B,W
- Withstand Voltage..... 1minute at AC 250V
- Insulated Resistance..... More than 100M Ω at DC250V
- Sliding Noise..... Less than 100mV
- Residual Resistance..... Term.1-2:Less than 30 Ω
Term.2-3:Less than 50 Ω
- Max.Operation Voltage..... AC 50V/DC 10V
- Rated Power..... 0.025W

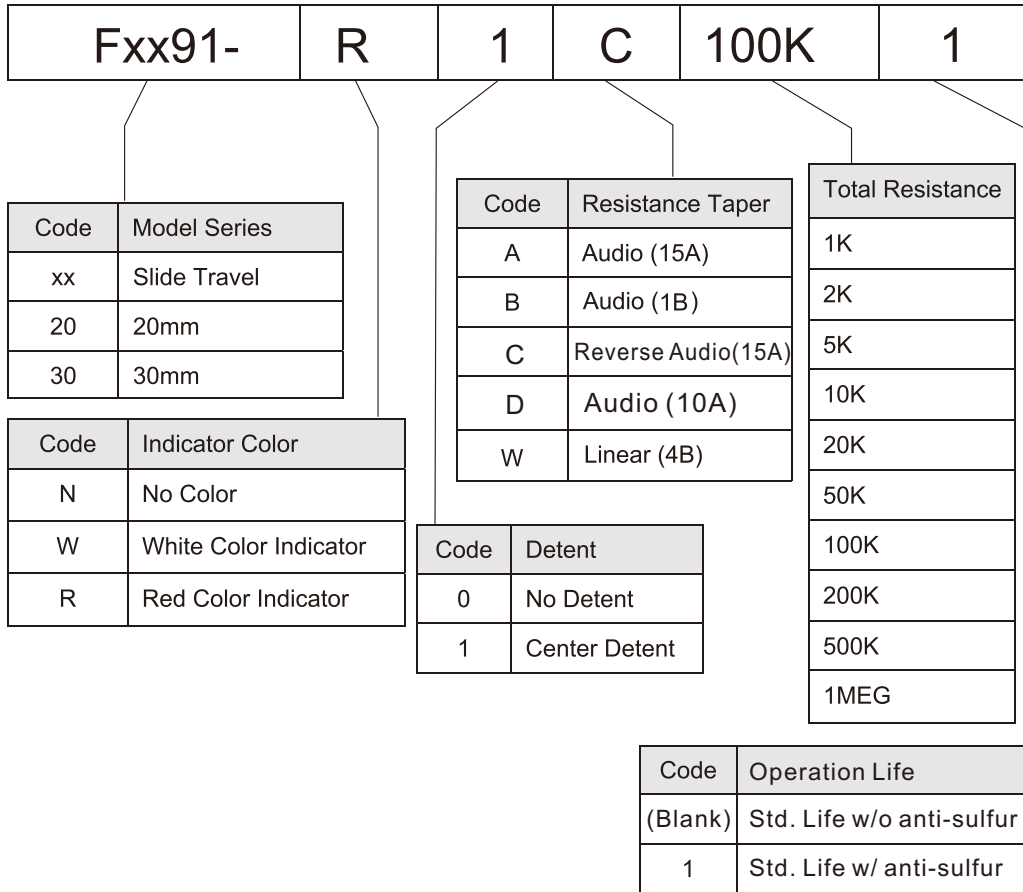
Mechanical characteristics

- Slide Travel 20mm,30mm
- Operating Force 10gf~100gf
- Stopper Strength 3.0Kgf(from the bas Level to a point of 2mm)
- Click torque(Only Center Click)..... 30~150gf
- Level Push-Pull Strength..... 3.0Kgf Min at 10Sec.
- Level Wobble..... 2(2XL)/20mm Max.(L:Level length both sides)

Durability

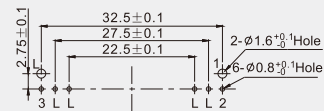
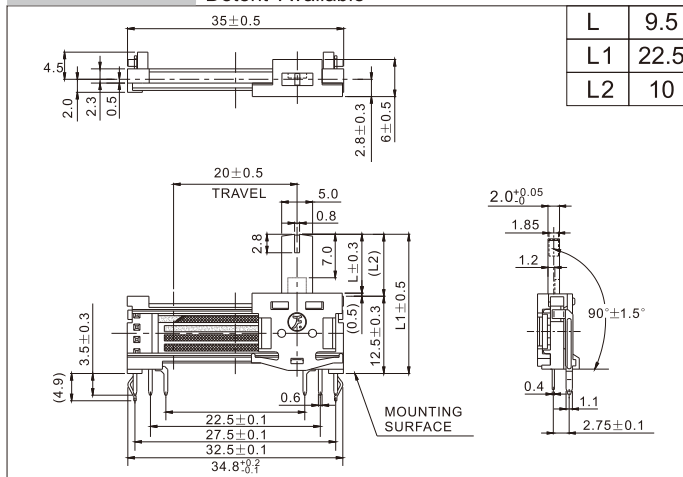
- Sliding Life..... 15,000 Cycles Min
- Operating Temperature Range..... -10°C ~ +70°C

HOW TO ORDER

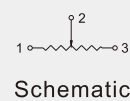


Slide Potentiometer

F2091-□ 20mm Travel, Standard Type, 1 Gang, Center Detent Available



PCB layout Dimension



Schematic