



Feature

1. Single-turn/ Cermet/ Open Frame.
2. Recommended for reflow processing.
3. Rotor design compatible with automatic adjustment equipment.
4. 3mm size meets ELA/ELAJ standard trimmer footprint.

3mm SMD Cermet Trimmers

Electrical characteristics

- Total Resistance.....1K Ω ~1M Ω
- Total Resistance Tolerance..... $\pm 25\%$
- Resistance Taper.....B taper
- Max operating Voltage.....AC 20V, DC20V
- Rated Power.....0.1W
- Residual Resistance ValueR \leq 300 Ω , within 3 Ω
300 Ω < R \leq 1M Ω , 1% of total Resistance
- Contact Resistance.....5% or less

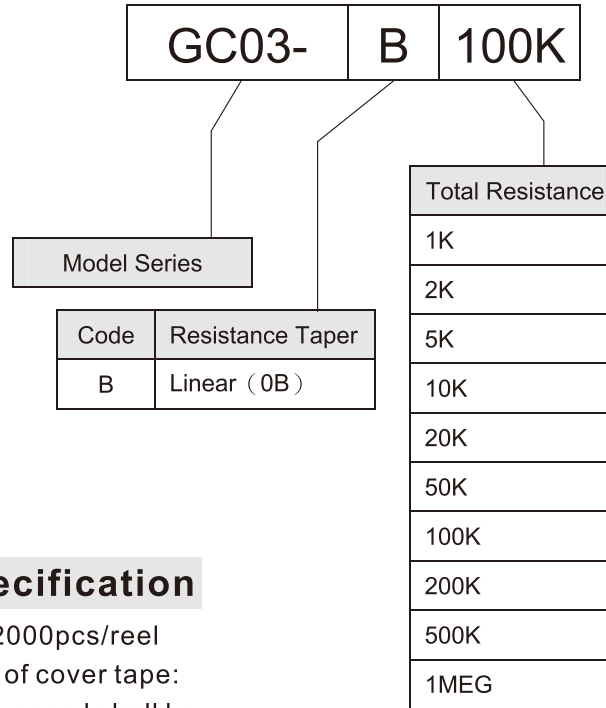
Mechanical characteristics

- Total Rotational Angle.....360° Continuous
- Electrical Effective Angle.....250° \pm 20°
- Rotational Torque.....10 ~220 gf.cm

Durability

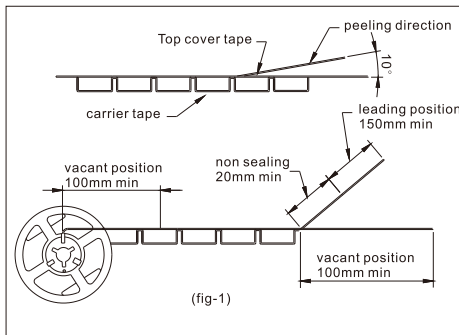
- Temperature Range.....-55°C~+125°C
- Temperature Coefficient..... ± 250 ppm/°C
- Humidity.....40 \pm 2°C, 90~95RH, 240 \pm 8H, Δ TR \pm 5%
- Load Life.....70°C \pm 3°C, 1000 \pm 12 hours, Δ TR \pm 5%
- Resistance to Soldering Heat.....280 \pm 10°C, 3 \pm 0.5Sec, Δ TR \pm 2%

HOW TO ORDER

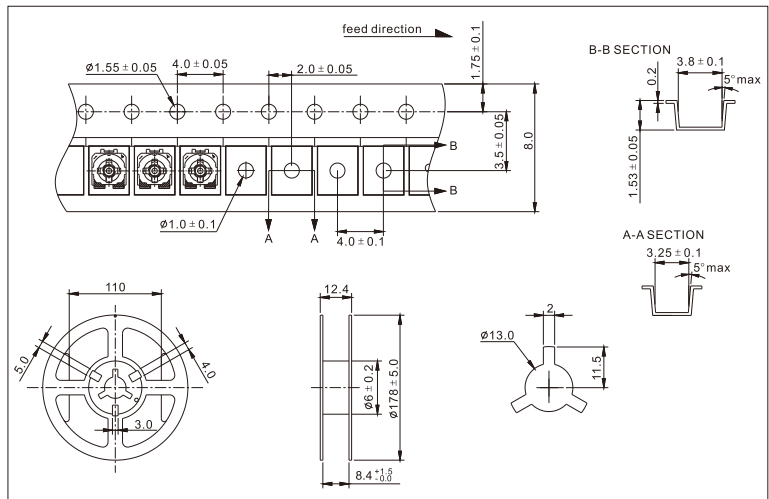


Packing specification

1. Taping quantity: 2000 pcs/reel
2. Peeling strength of cover tape: 10~80gf (Peeling speed shall be 300mm/min)



3. Taping method



GC03

SMD Mounting, Reflow Soldering

