



Feature

1. Adopt ultrathin, Miniature structure.
2. Long life 100,000 cycles min.
3. Design for composite control .

FC120 Series Lever switch

Electrical characteristics

- Rated Voltage..... 10mA, DC 5V
- Insulation Resistance..... More than 100M Ω at DC 100V
- Withstand Voltage..... 1 minute at AC 100V
- Sliding Noise T2 \leq 3ms
- Fluttering..... T1, T3 \leq 8ms

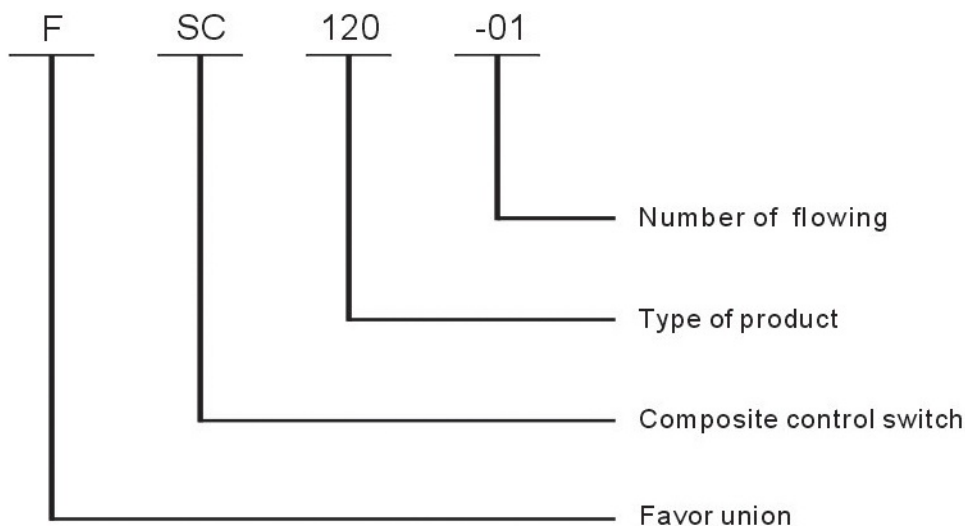
Mechanical characteristics

- Operating Force..... Push Force: 2 \pm 1N(102~306gf)
Level Force: 0.65 \pm 0.4N(25.5~107gf)
- Terminal Strength..... 3N (306gf) for 1min
- Wobble of Actuator..... p-p: 2mm Max
- Actuator strength..... Push direction: 50 N(5.1Kgf)
Operation direction: 10 N(1.02Kgf)

Durability

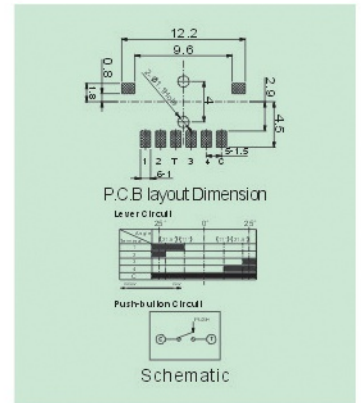
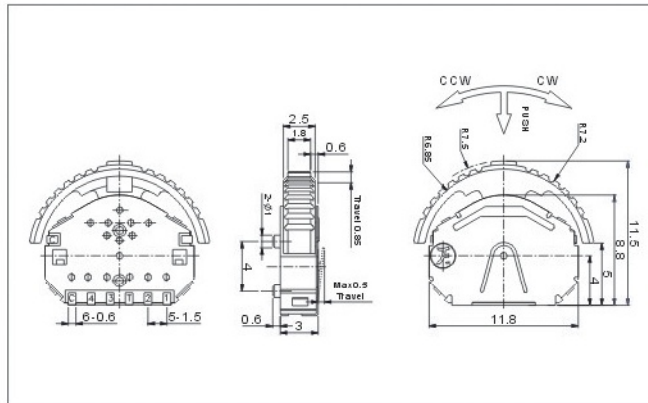
- Operating Life..... 100,000 Cycles
- Push Life..... 100,000 Cycles
- Operating temperature range..... -10 $^{\circ}$ C~+60 $^{\circ}$ C

HOW TO ORDER



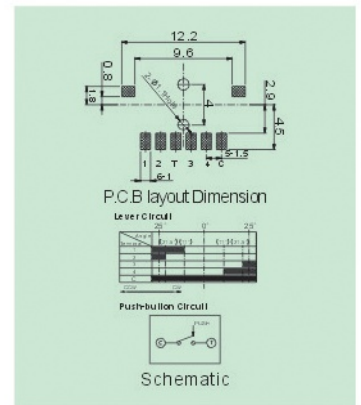
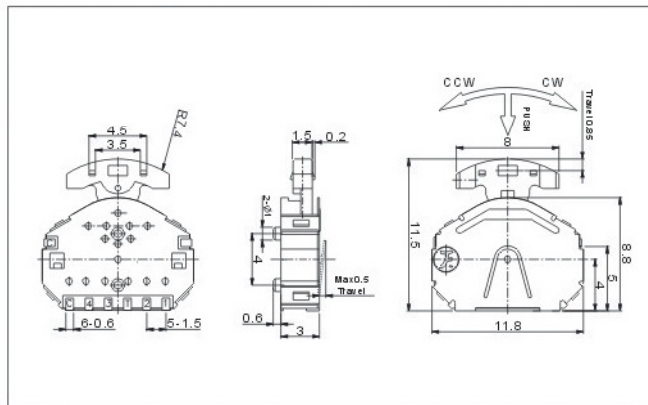
FSC120-01-1

Lever and Push Operation
Type Switch



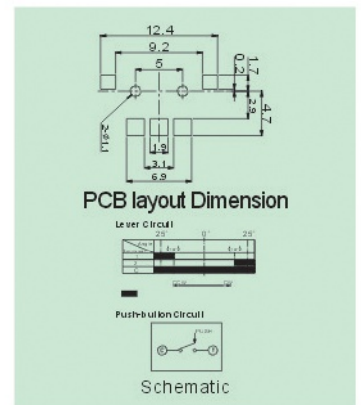
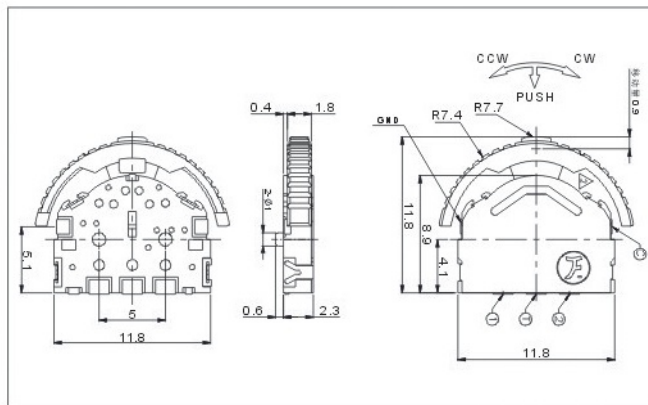
FSC120-01-2

Lever and Push Operation
Type Switch



FSC120-02-1

Lever and Push Operation
Type Switch



FSC120-02-2

Lever and Push Operation
Type Switch

