



Feature

1. Dust proof construction protects the interior from dust, which maintains stable characteristics.
2. Compliant to reflow high peak temperature lead free soldering
3. Excellent resistance materials and high reliability wiper achieves 200,000 Cycles .
4. Ultra-thin size, (2.2mm height)

FSE11 Series position sensor

Electrical characteristics

- Resistance range.....1K~1M
- Total resistance tolerance..... $\pm 20\%$
- Taper style.....B taper
- Power rated.....0.1W
- Linearity $\pm 2\%$
- Rotational noise80mV
- T.C.R..... $\pm 500\text{ppm}/^\circ\text{C}$

Mechanical characteristics

- Effective electrical angle $320^\circ \pm 3^\circ$
- Rotational torque.....0~30gf.cm
- Push pull strength of Shaft.....Over1.0kgf for 10 seconds min
- Total rotatioanal angle..... 360° (Endless)

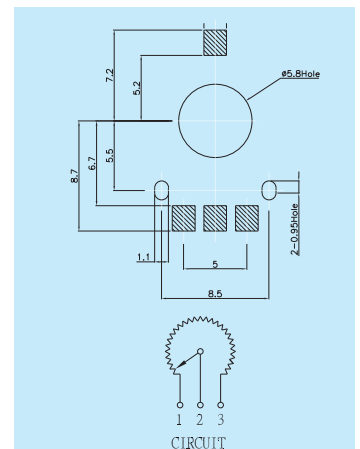
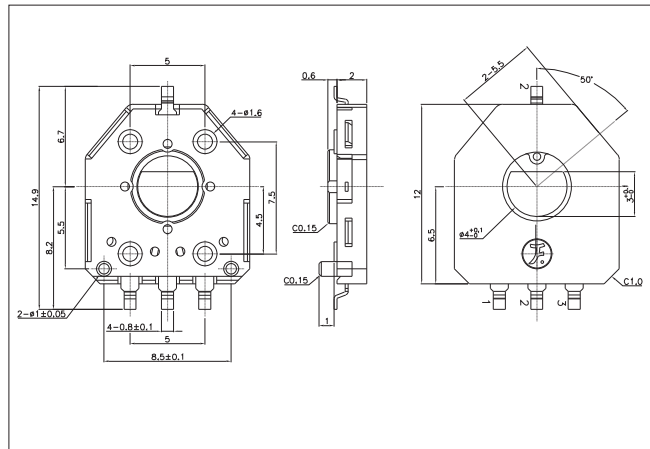
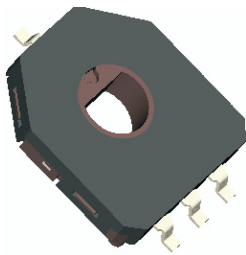
Typical Applications

- Animal robot joint controller
- HAVC sensor
- Motor drive unit
- Electric motor-driven bicycle
- Rotary angle sensor

Environmental characteristics

- Storage temperature.....-40°C to +85°C
- Operating temperature.....-40°C to +85°C
- Life cycles.....200,000 Cycles Min
- Dry heat.....+85±3°C, 250±4H
 $\Delta TR: \pm 20\%$, Linearity: $\pm 2\%$
- Cold.....+40±3°C, 168±4H
 $\Delta TR: \pm 20\%$, Linearity: $\pm 2\%$
- Humidity.....60±2°C, 90~95RH, 250±8H
 $\Delta TR: \pm 20\%$, Linearity: $\pm 2\%$
- Temperature cycles.....-40°C~+85°C, 5cycles
 $\Delta TR: \pm 20\%$, Linearity: $\pm 2\%$

FSE110101



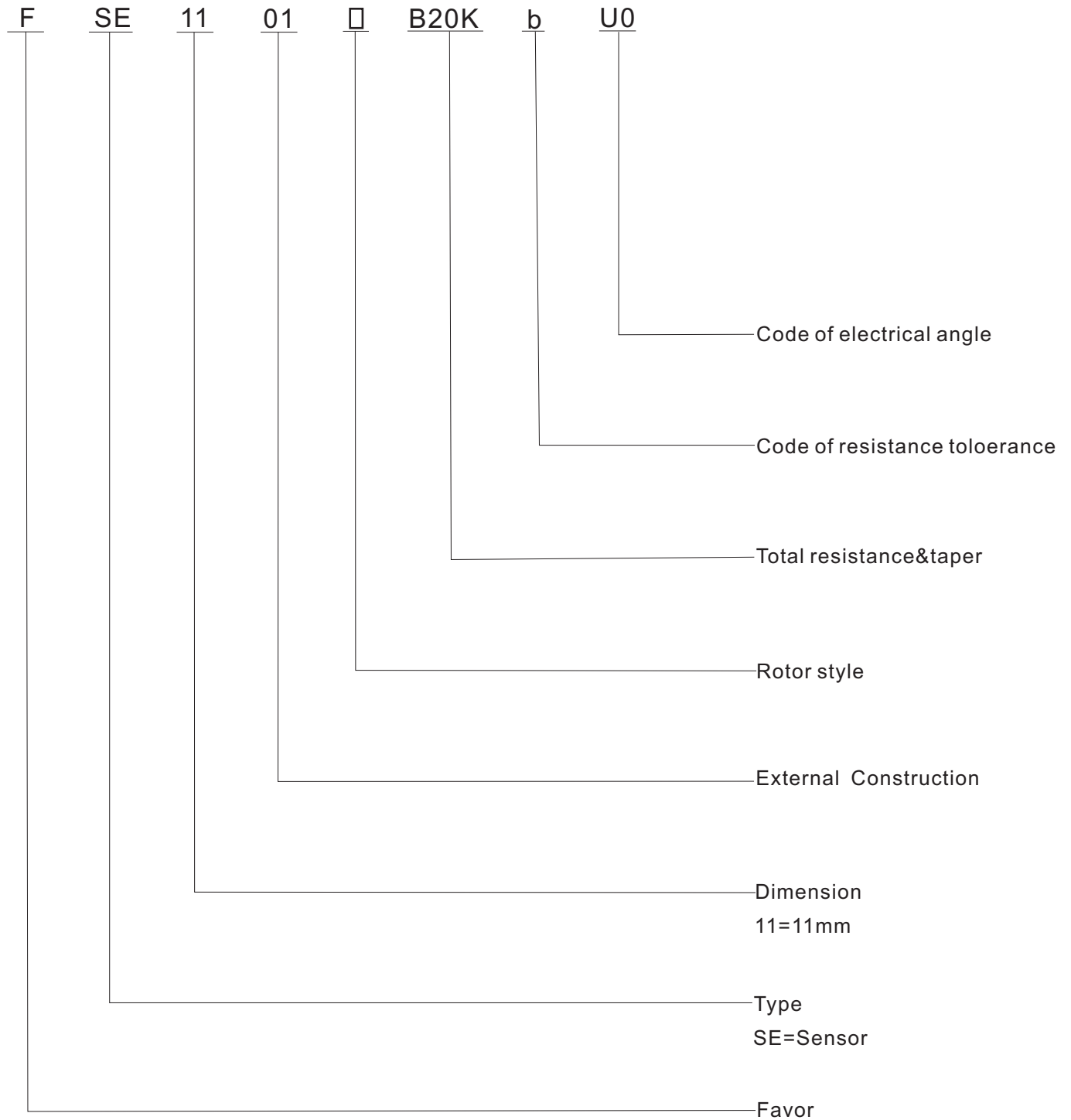


FSE11 Series

Rotary Position Sensor



HOW TO ORDER



SENSORS

