

Feature

1. Insulated shaft style
2. Carbon element
3. Wide range of resistance tapers
4. Assorted pin layouts

F-124k Insulated Shaft Rotary Potentiometer

Electrical characteristics

- Total Resistance.....1kΩ ~500KΩ
- Total Resistance Tolerance..... ± 20%
- Resistance Taper.....A,B,C,D
- Max.Operator Voltage.....Linear Taper B: AC 150V
Other Tapers: AC 100V
- Rated Power.....Linear Taper B: 0.08W
Other Tapers :0.04W
- Sliding Noise.....Less than 100mv
- Insulation Resistance.....More than 50MΩ at DC 500V
- Withstand voltage.....1 minute at AC 500V
- Residual Resistance..... Term. 1~2:Less than 20 Ω
Term. 2~3:Less than 20 Ω

Mechanical characteristics

- Total Rotational Angle.....300° ± 5°
- Rotational Torque.....10gf.cm~100gf.cm
- Rotational Stopper Strength.....3.0kgf.cm Min.
- Push-Pull Strength.....8.0kgf Min

Durability

- Rotational Life.....10,000 Cycles

Shaft illustration

Standard Dimensions of Shaft for F-124K Series.
(Customer designs are welcomed)

F-124K

Y Shaft

F Shaft

F-124K Series Shaft Dimensions and Styles

F	L	15	20	25	30	35	40
	F	5	7	12	12	12	12
Y	L	15	20	25	30	35	40
	I	5	7	12	12	12	12

F-124KP Series Shaft Dimensions and Styles

F	L	10	15	20	25	30	35
	F	5	7	12	12	12	12
Y	L	10	15	20	25	30	35
	I	5	7	12	12	12	12

F-124KP

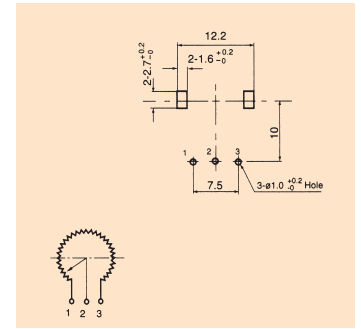
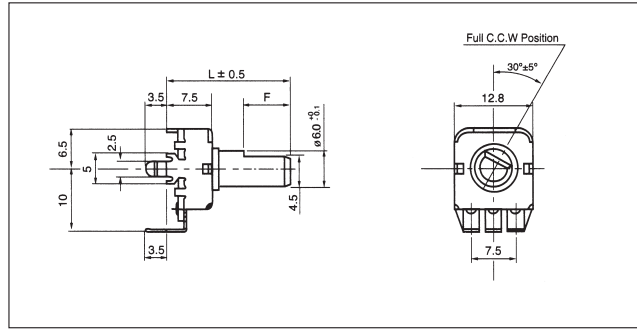
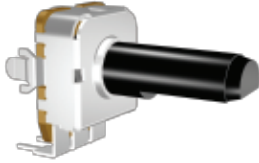


F-124K Series

Snap-In Insulated Shaft Rotary Potentiometer

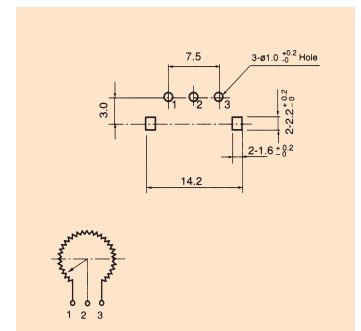
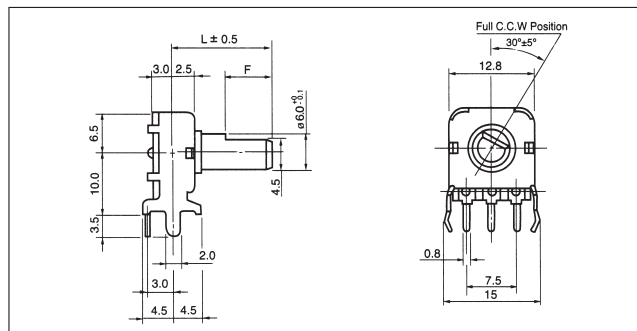
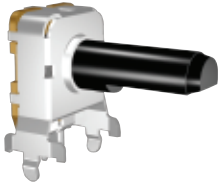
F-124K

Horizontal Type, Single Unit,
P.C.B. Terminal



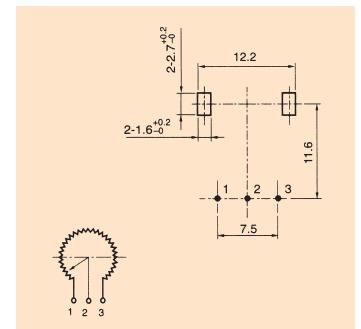
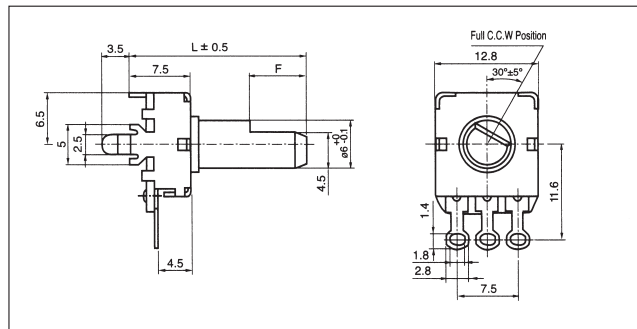
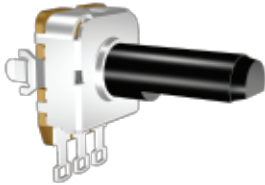
F-124KP

Vertical Type, Single Unit,
P.C.B. Terminal



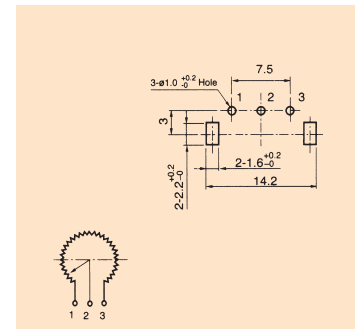
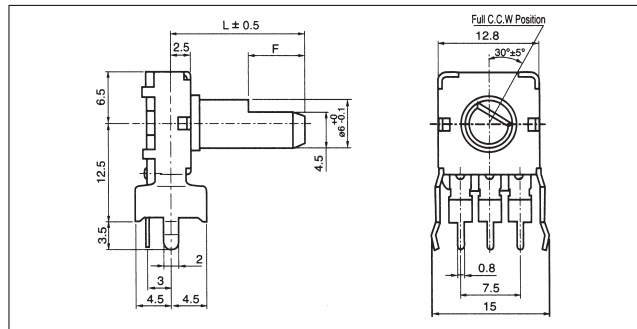
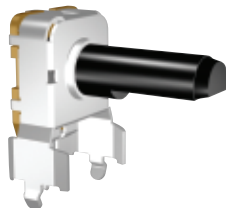
F-124K-1

Horizontal Type, Single Unit,
Solder Terminal



F-124KP-1

Vertical Type, Single Unit,
P.C.B. Terminal



Part number system of insulated shaft potentiometer

