

## Feature

1. Low-profile
2. Dip and reflow solderable

## F-09 Thumbwheel Driving Potentiometer

### Electrical characteristics

- Total Resistance.....500  $\Omega$  ~500k  $\Omega$
- Total Resistance Tolerance..... $\pm 20\%$
- Resistance Taper.....A,B,C,D
- Rated Power.....linear Taper B: 0.05W Other Tapers:0.025W
- Sliding Noise.....Less than 100mv
- Residual Resistance..... Term.1~2:Less than 20  $\Omega$   
Term.2~3:Less than 20  $\Omega$
- Withstand Voltage..... 1 minute at AC 100V
- Insulated Resistance..... More than 100M  $\Omega$  at DC 100V

### Mechanical characteristics

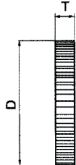
- Total Rotational Angle..... $220^\circ \pm 5^\circ$
- Rotational Torque.....5gf.cm~90gf.cm
- Rotational Stopper Strength.....0.8kgf.cm Min.
- Push-Pull Strength..... Push: 0.5kgf.cm Min Pull: 0.2kgf Min

### Durability

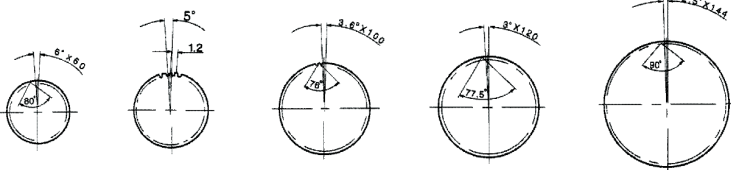
- Rotational Life..... 10,000 Cycles

### Shaft illustration

Standard Dimensions of Knob for F-09 Series  
(Customer designs are welcomed)



Type of Knob	(Unit: mm)						
Outside Diameter (D)	$\varnothing 10$	$\varnothing 12$	$\varnothing 13.6$	$\varnothing 15$	$\varnothing 16$	$\varnothing 20$	$\varnothing 20$
Thickness (T)	0.9	1.8	1.9	1.9	0.9	1.9	3.0



$\varnothing 10$        $\varnothing 12$        $\varnothing 15$        $\varnothing 16$        $\varnothing 20$

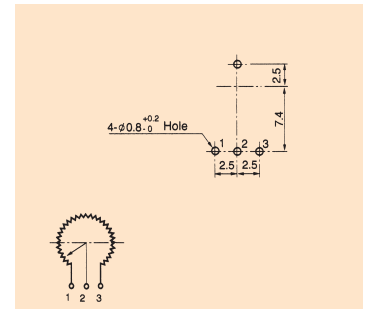
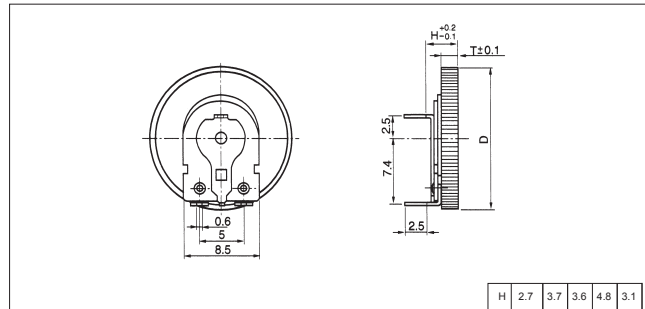
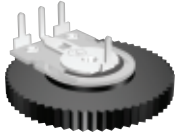


# F-09 Series

## Super Thin Rotary Potentiometer

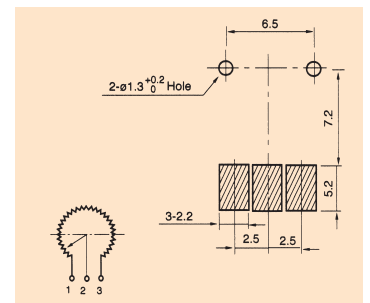
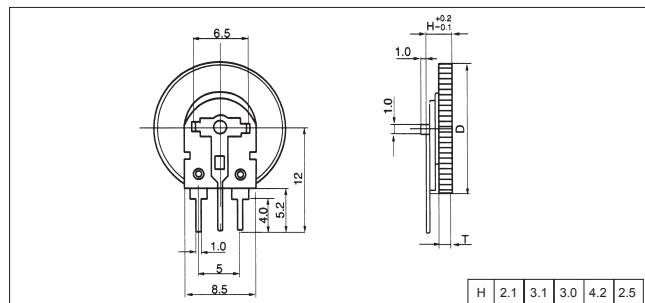
### F-09N

Horizontal Type, Single Unit



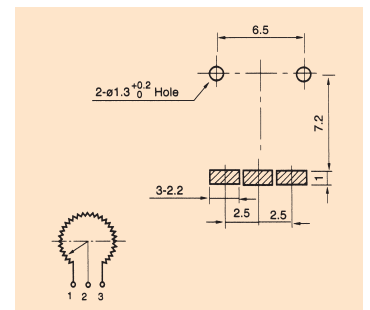
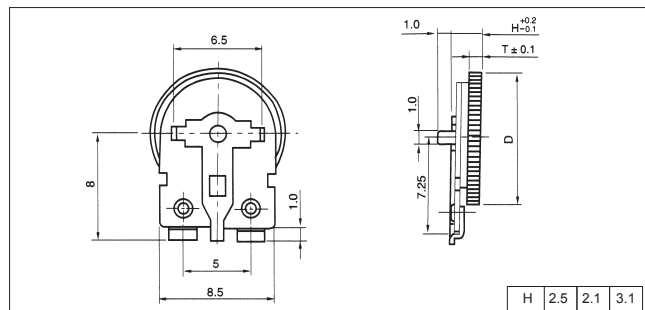
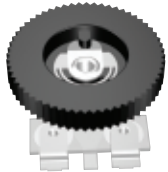
### F-09NP

Vertical Type, Single Unit



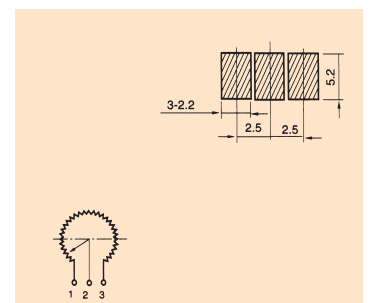
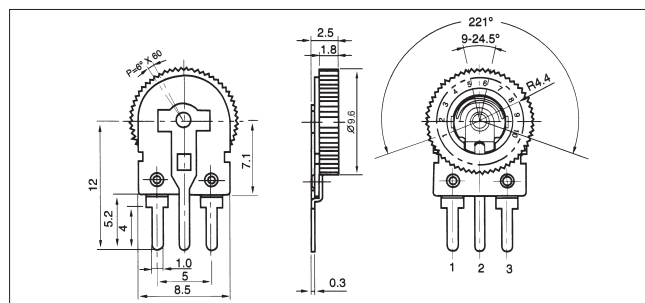
### F-09NP-2

Horizontal Type, Single Unit



### F-09NP-3

Vertical Type, Single Unit





# Part number system of thumbwheel driving potentiometer

F- 09 N P 1 B 10KT1.8 \*9.6 /B4

