



FXXG Series Slide Potentiometer



Feature

1. Metal housing.
2. Center detent available.
3. Metal slide rod type.

FXXG Slide potentiometer

Rotary Potentiometer

Electrical characteristics

- Total Resistance.....500 Ω ~1M Ω
- Total Resistance Tolerance.....± 20%
- Resistance Taper.....A,B,C,D etc
- Withstand Voltage..... 30~100mm:1 minute at AC 300V
- Insulated Resistance.....30~100mm:More than 100m Ω at DC 500V
- Sliding Noise.....Less than 100mV
- Residual Resistance.....XX2G Series: Term. 1~2< 10 Ω Term. 2~3< 30 Ω
XX3G Series: Term. 1~2< 5 Ω Term. 2~3< 5 Ω
- Gang Error (Dual Unit)..... - 40dB~0dB±3dB
- Rated VoltageLinear Taper B:30mm:AC 200V,45mm:350V;60~100mm:AC 500V
Other Tapers:30mm:AC 150V,45mm:250V;60~100mm:AC 350V
- Rated PowerLinear Taper B:30mm,0.1W;45mm:0.125W;60mm,100mm:0.25W
Other Tapers:30mm,0.05W;45mm:0.06W;60mm,100mm:0.125W

Mechanical characteristics

- Slide Travel.....30mm,45mm,60mm,100mm
- Slide Torque.....20~300gf
- Detent Torque(Only Center Click).....30gf~350gf
- Stopper Strength.....5.0Kgf.cm Min
(From the base level to a point of 2mm)
- Level Wobble.....2(2xL)/20mm Max.(L:Level length both sides)
- Level Push-Pull Strength..... 5.0Kgf Min at 10Sec.

Durability

- Sliding Life.....10,000 Cycles Min.

H	6.5	8.5					
MODEL	A	B	C	D	E	REMARK	
10002G	128	120	100	105	122.5	GENERAL	
10002GL	128	120	100	105	122.5	EXCEPTIONAL	
10002GP	128	120	100	105	122.5	GENERAL	
10002GL	128	120	100	105	122.5	EXCEPTION	

AH										D										C										CH									
L	20	25	16							L	10	15								L	10	16								L	20	15							
F	10	10	11							F	5	10								F	5	10								F	7	10							
M	12	12	11							M	6	7								M	6	7								M	6	7							

H	6.5	8.5					
MODEL	A	B	C	D	E	REMARK	
303G	58	50	30	35	52.5	GENERAL	
303GL	58	50	30	35	52.5	EXCEPTIONAL	
303GP	58	50	30	35	52.5	GENERAL	
303GL	58	50	30	35	52.5	EXCEPTION	
453G	73	65	45	50	67.5	GENERAL	
453GL	73	65	45	50	67.5	EXCEPTIONAL	
453GP	73	65	45	50	67.5	GENERAL	
453GL	73	65	45	50	67.5	EXCEPTION	
603G	88	80	60	65	82.5	GENERAL	
603GL	88	80	60	65	82.5	EXCEPTIONAL	
603GP	88	80	60	65	82.5	GENERAL	
603GL	88	80	60	65	82.5	EXCEPTION	

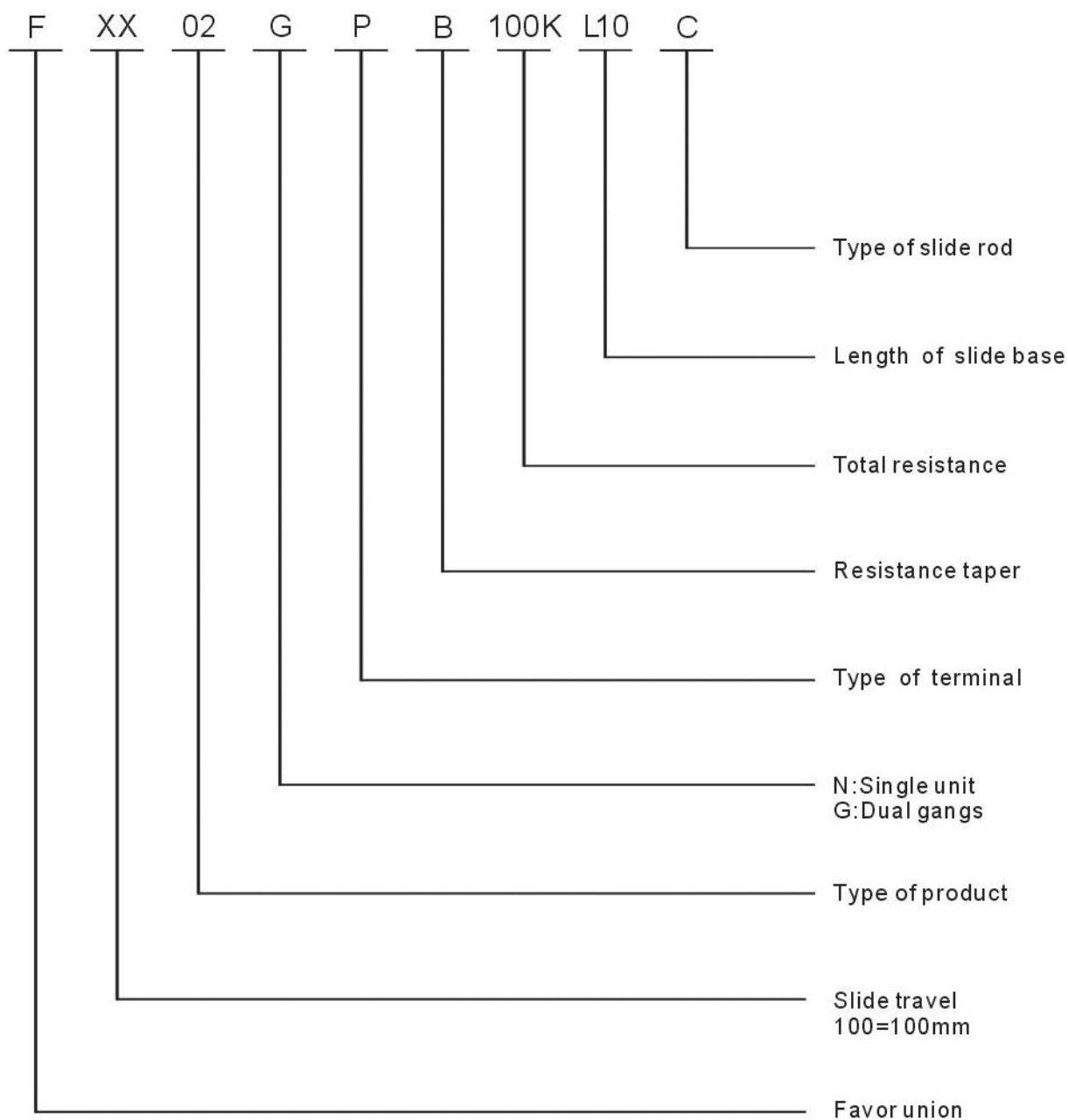
AH										D										C										CH									
L	20	25	16							L	10	15								L	10	16								L	20	15							
F	10	10	11							F	5	10								F	5	10								F	7	10							
M	12	12	11							M	6	7								M	6	7								M	6	7							



FXXG Series Slide Potentiometer

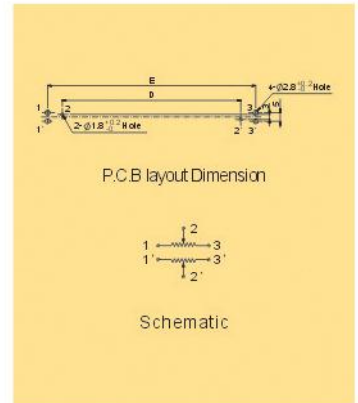
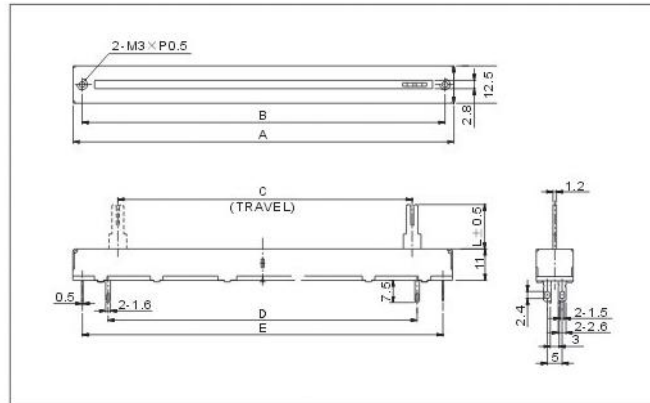


HOW TO ORDER



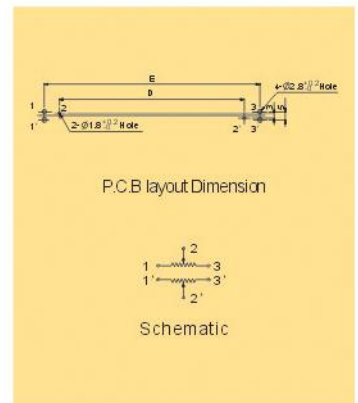
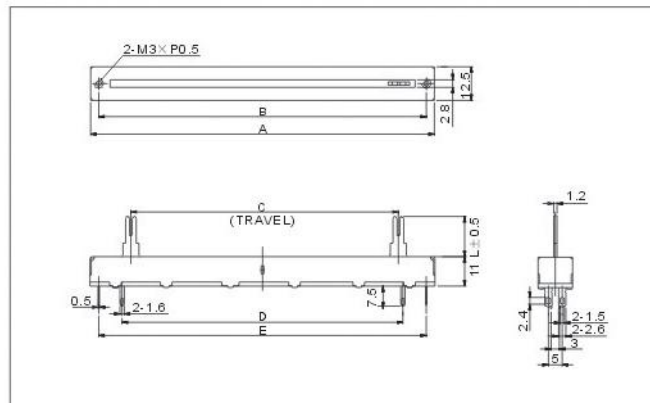
FXX02GP

100mm, Standard Type, Dual Unit, Center Detent available



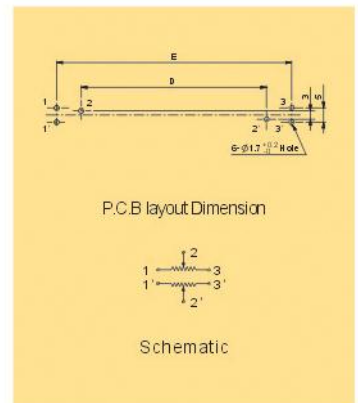
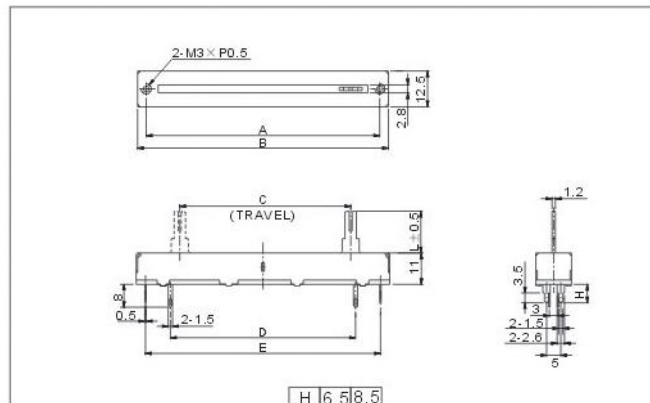
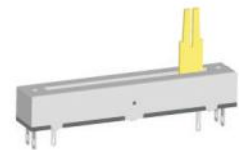
FXX02GPL

100mm, Standard Type, Dual Unit, Center Detent available



FXX3G

30mm/45mm/60mm, Travel, Dual gangs, Center Detent available



FXX3GP

30mm/45mm/60mm, Travel, Dual gangs, Center Detent available

